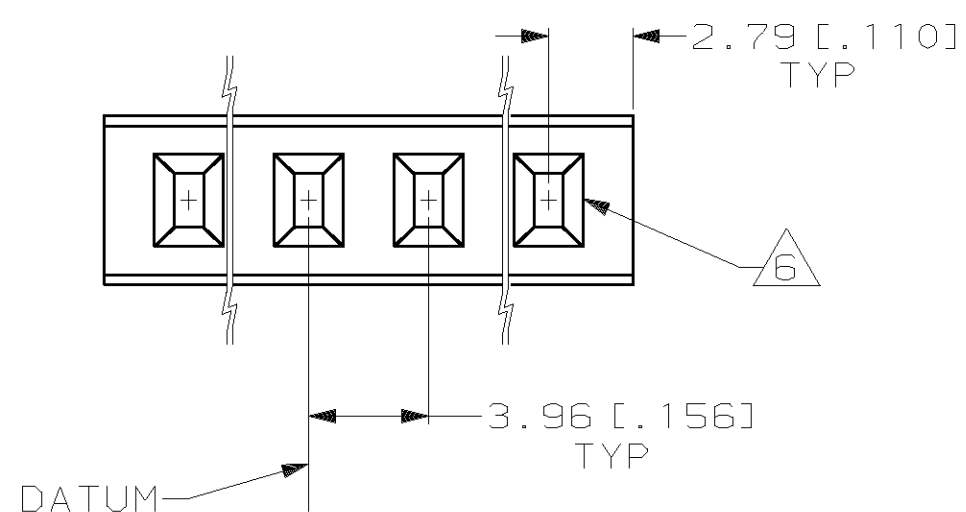
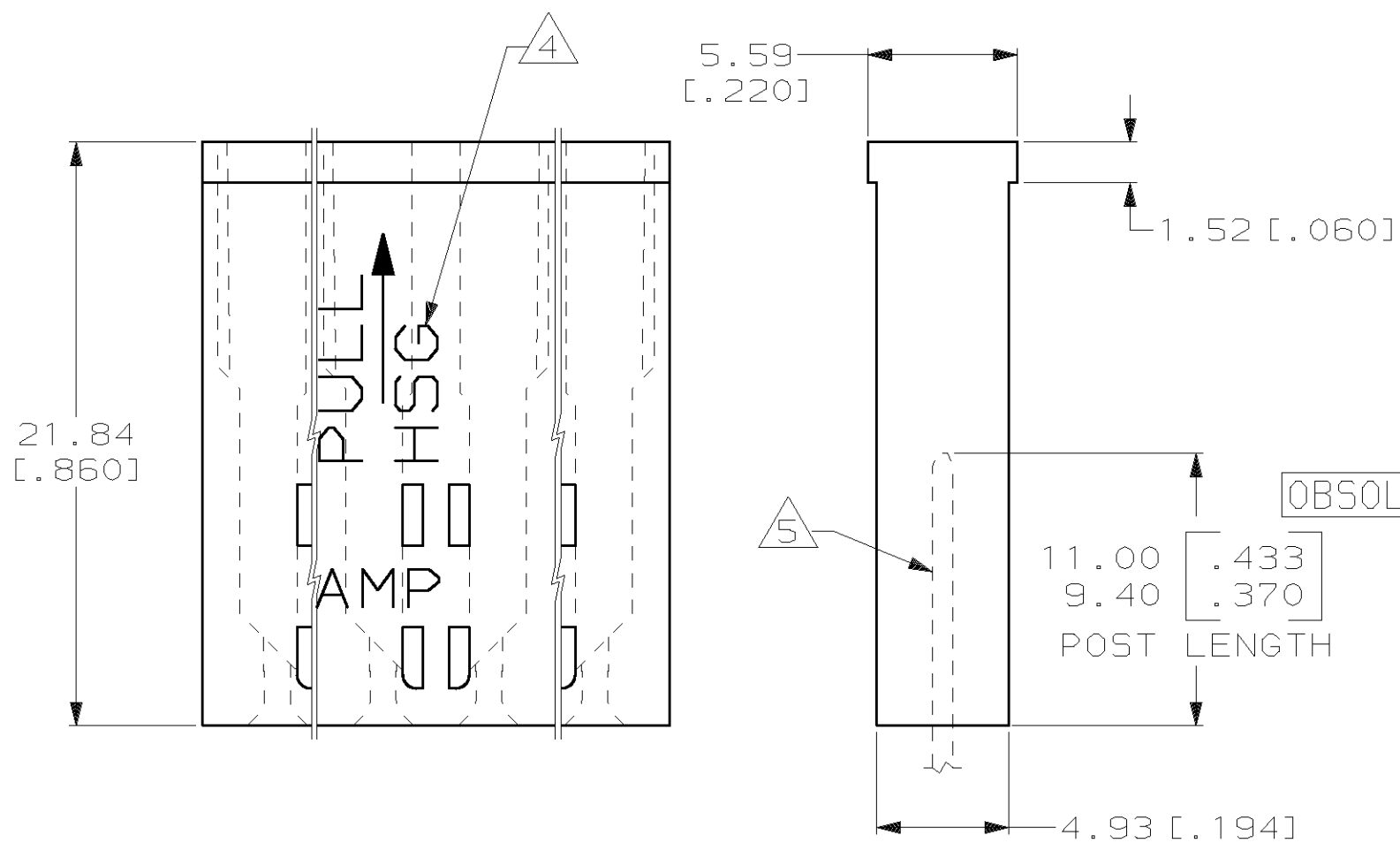
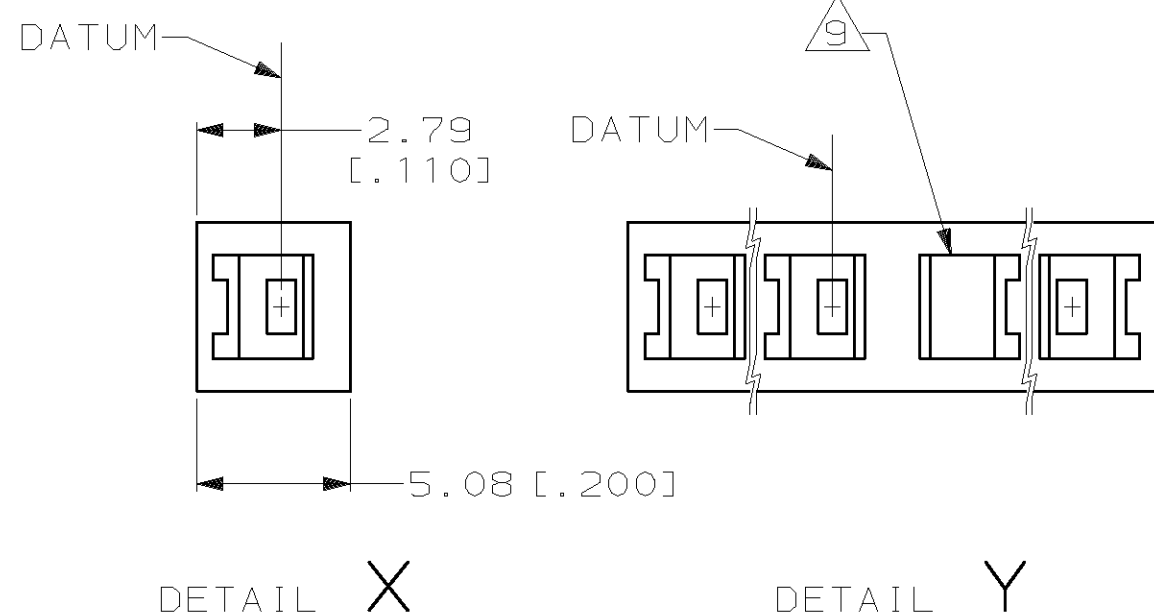
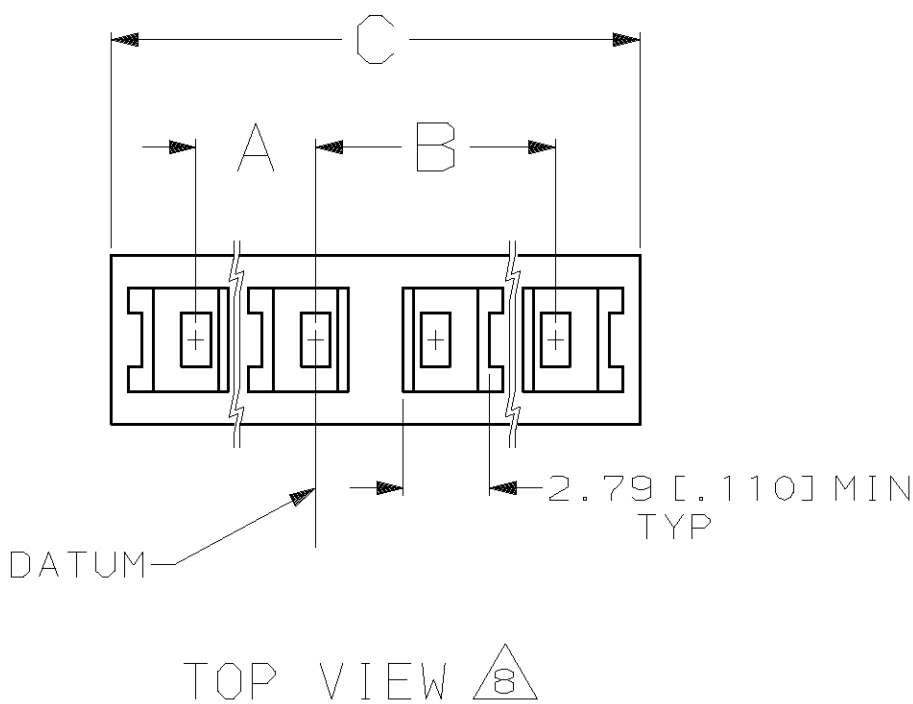


LOC		DIST	P		F		REVISIONS		DATE	APPD
AD	39						ZONE	LTR	DESCRIPTION	
							J		REV PER 063C-0327-04	01APR04
										D5



- PULL ON HOUSING TO REMOVE FROM POSTS. DO NOT CONFINE THE CONDUCTORS OR PULL ON THE CONDUCTORS DURING REMOVAL ACTION.
- IN ORDER FOR THIS HOUSING TO FUNCTION PROPERLY AS A CONNECTOR, THE CONTACTS (P/N 87278 SERIES) MUST BE CRIMPED ACCORDING TO AMP SPEC 114-25008.

- 4** MOLDED CHARACTERS THIS END.
- 5** 0.79[.031] X 1.57[.062] POST SHOWN FOR REFERENCE ONLY.
- 6** CAVITY ACCEPTS 0.79[.031] X 1.57[.062] POST (TYPICAL).
- 7** BOLD CAVITY INDICATES TYPICAL DATUM.
- 8** THIS VIEW TO BE REFERENCED WITH CAVITY ORIENTATION CHART.
- 9** NO POST ENTREE HOLE IN THIS LOCATION.
- 10** SEE DETAIL X.
- 11** SEE DETAIL Y.
- 12** OBSOLETE PART NUMBER.

	OBSOLETE						
	53.14	[2.092]	23.77	[.936]	23.77	[.936]	13
	45.21	[1.780]	19.81	[.780]	19.81	[.780]	11
	37.29	[1.468]	15.85	[.624]	15.85	[.624]	9
	29.36	[1.156]	11.89	[.468]	11.89	[.468]	7
	21.44	[.844]	7.92	[.312]	7.92	[.312]	5
	13.51	[.532]	3.96	[.156]	3.96	[.156]	3
	25.40	[1.000]	11.89	[.468]	7.92	[.312]	5 OF 6
	29.36	[1.156]	11.89	[.468]	11.89	[.468]	6 OF 7
	21.44	[.844]	7.92	[.312]	7.92	[.312]	4 OF 5
	57.10	[2.248]	27.74	[1.092]	23.77	[.963]	14
	49.17	[1.936]	23.77	[.936]	19.81	[.780]	12
	41.25	[1.624]	19.81	[.780]	15.85	[.624]	10
	33.32	[1.312]	15.85	[.624]	11.89	[.468]	8
	25.40	[1.000]	11.89	[.468]	7.92	[.312]	6
	17.48	[.688]	7.92	[.312]	3.96	[.156]	4
	17.48	[.688]	7.92	[.312]	3.96	[.156]	3 OF 4
	9.55	[.376]	-	-	-	-	2
	5.08	[.200]	-	-	-	-	1

CAVITY ORIENTATION CHART	C	B	A	NO. OF POSITIONS	PART NUMBER
				13	1-87270-8
				11	1-87270-7
				9	1-87270-6
				7	1-87270-5
				5	1-87270-4
				3	1-87270-3
				5 OF 6	1-87270-2
				6 OF 7	1-87270-1
				4 OF 5	1-87270-0
				14	87270-9
				12	87270-8
				10	87270-7
				8	87270-6
				6	87270-5
				4	87270-4
				3 OF 4	87270-3
				2	87270-2
				1	87270-1

THIS DRAWING IS A CONTROLLED DOCUMENT FOR AMP INCORPORATED. IT IS SUBJECT TO CHANGE AND THE CONTROLLING ENGINEERING ORGANIZATION SHOULD BE CONTACTED FOR THE LATEST REVISION.

DO NOT SCALE PRINT. UNLESS SPECIFIED DIMENSIONS IN mm [INCHES] TOLERANCES ON :	DR 2-25-93 E. BRANDBERG
2 PLC DEC ± -	CHK 2-25-93 SCOTT A. SHUEY
3 PLC DEC ± 0.13 [.005]	APPD 2-25-93 SCOTT A. SHUEY
ANGLES ± -	APPD 2-25-93 D. DUPLER
MATERIAL GLASS FILLED POLYESTER COLOR: BLACK	PRODUCT SPEC
FINISH	APPLICATION SPEC
	WEIGHT

AMP AMP Incorporated Harrisburg, PA 17105-3608	NAME	
	HOUSING, LOCKING CLIP, SINGLE ROW, .156 CENTERS FOR .031' X .062 POST	
SIZE	CAGE CODE	DRAWING NO
C	00779	C=87270
SCALE	4:1	SHEET
		1 OF 1